



UNIVERSAL STEEL STRUCTURES

BUILDING SPECIFICATIONS

THE STRUCTURE SUPPLIED BY THE MANUFACTURER HAS BEEN DESIGNED AND DETAILED FOR THE LOADS AND CONDITIONS STIPULATED IN THE SALES ORDER AND SHOWN ON THESE DRAWINGS. ANY ALTERATIONS TO THE STRUCTURAL SYSTEM OR REMOVAL OF ANY COMPONENT PARTS, OR THE ADDITION OF OTHER CONSTRUCTION MATERIALS OR LOADS MUST BE UNDER THE ADVICE AND DIRECTION OF A REGISTERED ARCHITECT, CIVIL OR STRUCTURAL ENGINEER. THE MANUFACTURER WILL ASSUME NO RESPONSIBILITY FOR ANY LOADS NOT INDICATED.

THIS BUILDING IS DESIGNED WITH THE MANUFACTURERS' STANDARD DESIGN PRACTICES WHICH ARE BASED ON PERTINENT PROCEDURES AND RECOMMENDATIONS OF THE FOLLOWING ORGANIZATIONS AND CODES:

AMERICAN INSTITUTE OF STEEL CONSTRUCTION: "SPECIFICATION FOR THE DESIGN, FABRICATION AND ERECTION OF STRUCTURAL STEEL FOR BUILDINGS".
 AMERICAN IRON AND STEEL INSTITUTE: "SPECIFICATION FOR THE DESIGN OF COLD-FORMED STEEL STRUCTURAL MEMBERS".

THE BUILDING CODE IS AS STATED ON THE ENGINEERING DESIGN CRITERIA SHEET
 AMERICAN WELDING SOCIETY: "STRUCTURAL WELDING CODE" AWS D1.1
 METAL BUILDING MANUFACTURER'S ASSOCIATION: "LOW RISE BUILDING SYSTEMS MANUAL"

MATERIALS

MATERIAL PROPERTIES OF STEEL PLATE AND SHEET USED IN THE FABRICATION OF PRIMARY RIGID FRAMES AND ALL PRIMARY STRUCTURAL FRAMING MEMBERS (OTHER THAN COLD-FORMED SECTIONS) CONFORM TO ASTM A529 OR ASTM A572 WITH A MINIMUM YIELD POINT OF 50,000 PSI.

MATERIAL PROPERTIES OF HOT ROLLED STRUCTURAL SHAPES CONFORM TO ASTM A529 OR ASTM A572 WITH A MINIMUM YIELD POINT OF 42,000 PSI.

MATERIAL PROPERTIES OF COLD-FORMED LIGHT GAGE STEEL MEMBERS CONFORM TO THE REQUIREMENTS OF ASTM A570, GRADE 55, WITH A MINIMUM YIELD POINT OF 55,000 PSI.

ALL STEEL MEMBERS EXCEPT BOLTS AND FASTENERS SHALL RECEIVE ONE SHOP COAT OF IRON OXIDE CORROSION INHIBITIVE PRIMER (UNLESS OTHERWISE SPECIFIED)

INSPECTION/JOBSITE

SHOP AND FIELD INSPECTIONS AND ASSOCIATED FEES ARE THE RESPONSIBILITY OF THE BUILDER, UNLESS STIPULATED OTHERWISE.

FIELD INSPECTION IS PER THE DESIGNATED CODE AND/OR LOCAL AGENCY. (NOT BY THE MANUFACTURER)

THE MANUFACTURER IS NOT RESPONSIBLE FOR GENERAL SITE SUITABILITY, OR JOB SITE INSPECTION FOR THIS PROJECT AND HAS NOT MADE A FIELD REVIEW OF THE BUILDING SITE.

BUILDING DESCRIPTION

NOMINAL SIZE:	WIDTH	LENGTH	EAVE HEIGHT (LOW SIDE)	ROOF SLOPE
BUILDING "A"	30'-0"	40'-0"	10'-0"	1.00/12

GENERAL NOTES

- 1) ROOF PANEL 26 GA. DURA-RIB -- SHELL WHITE
- 2) WALL PANEL 26 GA. DURA-RIB -- ASPEN GOLD
- 3) ALL FLASH 26 GA. -- SANDSTONE

ENGINEERING DESIGN CRITERIA

BUILDING CODE :	THE UNIFORM BUILDING CODE 1997 EDITION
BUILDING END USE :	CHURCH
ROOF DEAD LOAD :	1.6 PSF STAR MATERIAL (ROOF PANEL + PURLINS)
ROOF COLLATERAL LOAD :	0.0 PSF
DESIGNED ROOF LIVE LOAD :	12.0 PSF FRAMES 20.0 PSF PURLINS
GROUND SNOW LOAD (PG) :	0.0 PSF
WIND LOAD :	V = 80.0 MPH
CLASSIFICATION OF BUILDING :	CATEGORY IV (STANDARD CATAGORY)
IMPORTANCE FACTOR WIND (I) :	1.0
WIND EXPOSURE :	B
BUILDING WIND :	ALL BUILDINGS DESIGNED AS PARTIALLY ENCLOSED
SEISMIC ZONE :	3
OCCUPANCY IMPORT. FACTOR (I) :	1.0
TRANSVERSE R :	4.5
LONGITUDINAL R :	4.5
SOIL PROFILE :	SD
ZONE FACTOR Z :	0.3
SEISMIC COEFFICIENT CA :	0.36
HIGH STRENGTH BOLT TIGHTENING :	IN ACCORDANCE WITH THE "SPECIFICATION FOR STRUCTURAL JOINTS USING ASTM A325 OR A490 BOLTS" THE TURN OF THE NUT METHOD OF TIGHTENING IS RECOMMENDED.
BRACING :	ROD "BRACING SIZE" AS NOTED ON ENGINEERING DOCUMENTS AND ERECTION DRAWINGS DENOTES THREAD DIAMETER.

BUILDER RESPONSIBILITIES

THE BUILDER MUST SECURE ALL REQUIRED APPROVALS AND PERMITS FROM THE APPROPRIATE AGENCY AS REQUIRED.

APPROVAL OF THE MANUFACTURERS' DRAWINGS AND CALCULATIONS INDICATE THE MANUFACTURER HAS CORRECTLY INTERPRETED AND APPLIED THE REQUIREMENTS OF THE CONTRACT DRAWINGS AND SPECIFICATIONS. (SEC. 4.2.1 AISC CODE OF STANDARD PRACTICE.)

WHERE DISCREPANCIES EXIST BETWEEN THE MANUFACTURERS' DRAWINGS AND THE PLANS FOR OTHER TRADES, THE MANUFACTURERS' DRAWINGS SHALL GOVERN. (SEC. 3.3 AISC CODE OF STANDARD PRACTICE.)

DESIGN CONSIDERATIONS OF ANY MATERIALS IN THE STRUCTURE WHICH ARE NOT FURNISHED BY THE MANUFACTURER ARE THE RESPONSIBILITY OF THE BUILDER AND ENGINEERS OTHER THAN THE MANUFACTURERS' ENGINEERS UNLESS SPECIFICALLY INDICATED.

THE BUILDER IS RESPONSIBLE FOR ALL ERECTION OF STEEL AND ASSOCIATED WORK IN COMPLIANCE WITH THE MANUFACTURERS' DRAWINGS.

TEMPORARY SUPPORTS, SUCH AS TEMP. GUYS, BRACES, FALSEWORK OR OTHER ELEMENTS REQD. FOR ERECTION WILL BE DETERMINED, FURNISHED AND INSTALLED BY THE ERECTOR. (SEC. 7.9.1 AISC CODE OF STANDARD PRACTICE.)

IT IS THE BUILDER'S RESPONSIBILITY TO APPLY OR OBSERVE ALL PERTINENT SAFETY RULES AND REGULATIONS, AND PER OSHA STANDARDS AS APPLICABLE.

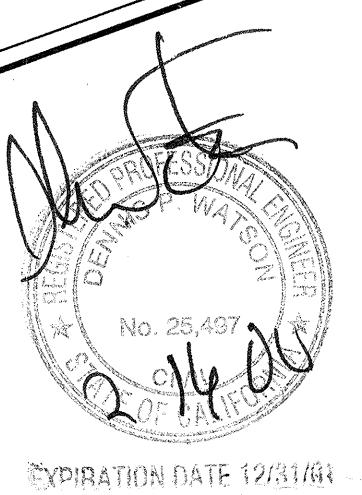
THE BUILDER IS RESPONSIBLE FOR THE VERIFICATION OF ALL SHIPMENTS RECEIVED.

SHORTAGES MUST BE REPORTED TO THE MANUFACTURER WITHIN 15 DAYS OF DELIVERY.

CROSS SECTION	MEMBER			MARK NUMBER		
	DESC.	SECTION (d x b x t) (IN)	L (IN)			
	8.5C75	8.5X3.25C.075	.750	DJ (DOOR JAMB)		
	8.5C92	8.5X3.25C.092	1.00	DH (DOOR HEADER)		
	10C75	10X2.75C.075	1.125	GC (CEE MEMBER)		
	10C84	10X2.75C.084	1.125			
	10C100	10X2.75C.100	1.1875			
	8.5Z57	8.5X2.5Z.057	.769	Z (PURLIN)		
	8.5Z64	8.5X2.5Z.064	.781	Z (GIRT)		
	8.5Z72	8.5X2.5Z.072	.951			
	8.5Z80	8.5X2.5Z.080	.965			
	8.5Z88	8.5X2.5Z.088	.978			
	10Z75	10X2.75Z.075	1.0			
	10Z84	10X2.75Z.084	1.0			
	10Z100	10X2.75Z.100	1.0625			
		8.5E75	8.5X3.25ES.075		.750	E (EAVE STRUT)
		8.5E92	8.5X3.25ES.092		1.00	
10E84		10X3.25ES.084	1.1875			
10E84		9.525X3.25ES.084	1.00			

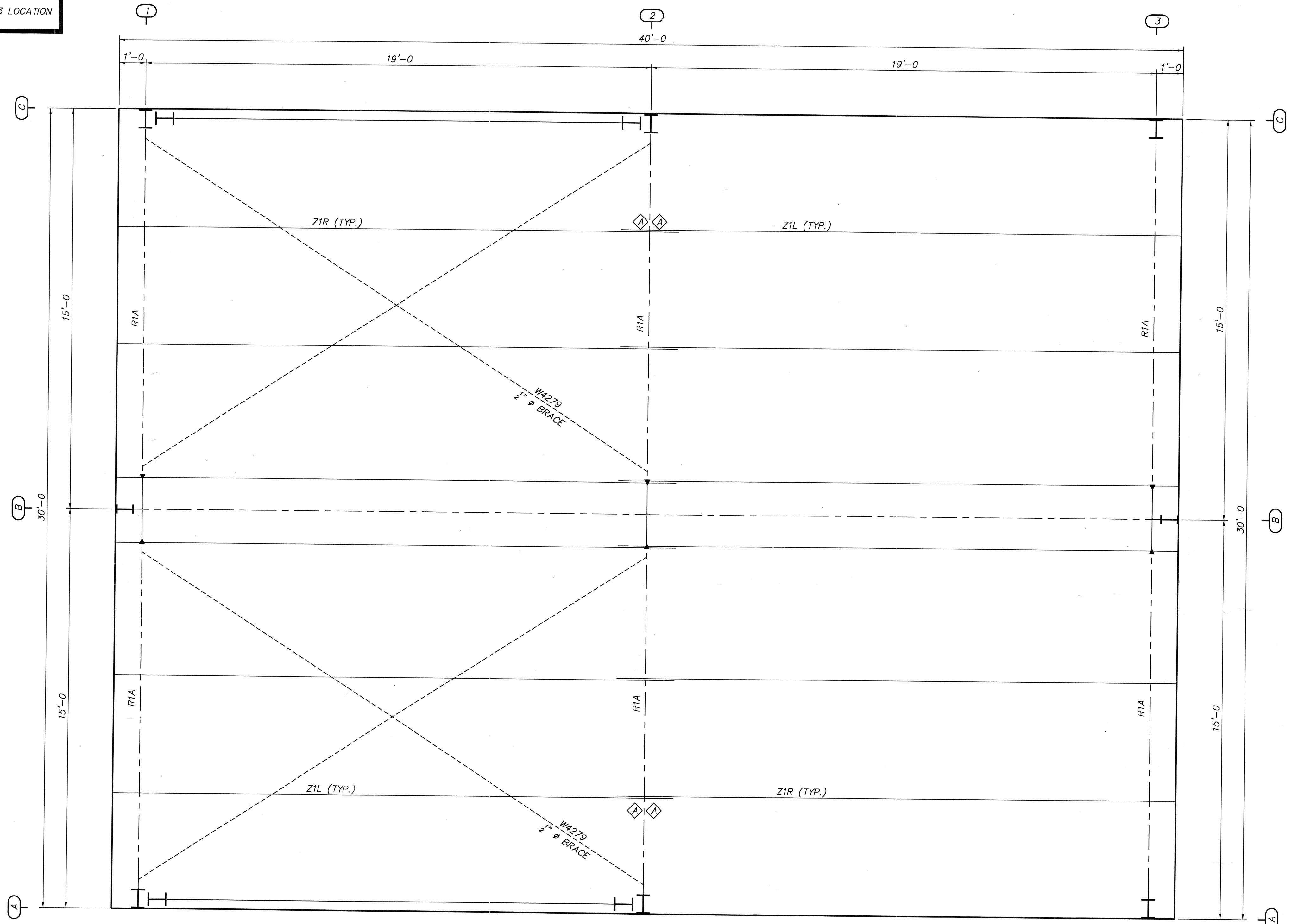
		UNIVERSAL STEEL STRUCTURES 6040 Unity Dr. Norcross, Ga. 30073	JOB NO. 99 B 54839
	CHECKED PAB DATE 2/16/00 ENG. REVIEW DPW	CUSTOMER: ST. STEPHEN LUTHERAN CHURCH FALLBROOK, CA	DRAWING NO. E1

PLEASE RETURN WITHIN 10 DAYS.
 APPROVED APPROVED AS NOTED
 BY: _____ DATE: _____



DPLU-BUILDING DIVISION
 County of San Diego
 Plan Check
 APR 08 2002
 FEB 16 2002
 County of San Diego
 Plan Check
 DPLU-BUILDING DIVISION
 OCT 17 2001
 County of San Diego
 Plan Check
 DPLU-BUILDING DIVISION
 AUG 07 2001
 County of San Diego
 Plan Check

▲ - DENOTES: CLIP CL203 LOCATION



ROOF FRAMING PLAN

DPLU-BUILDING DIVISION
APR 08 2002
County of San Diego
Plan Check

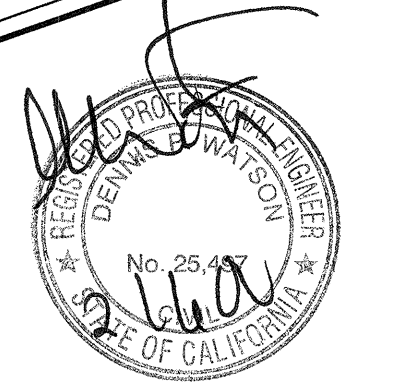
DPLU-BUILDING DIVISION
FEB 16 2002
County of San Diego
Plan Check

DPLU-BUILDING DIVISION
JAN 03 2002
County of San Diego
Plan Check

DPLU-BUILDING DIVISION
OCT 17 2001
County of San Diego
Plan Check

DPLU-BUILDING DIVISION
AUG 07 2001
County of San Diego
Plan Check

PLEASE RETURN WITHIN 10 DAYS.
 APPROVED APPROVED AS NOTED
 BY: _____ DATE: _____



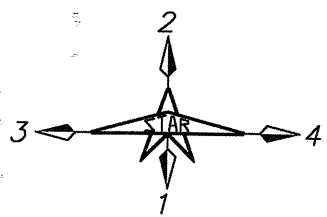
EXPIRATION DATE 12/31/01

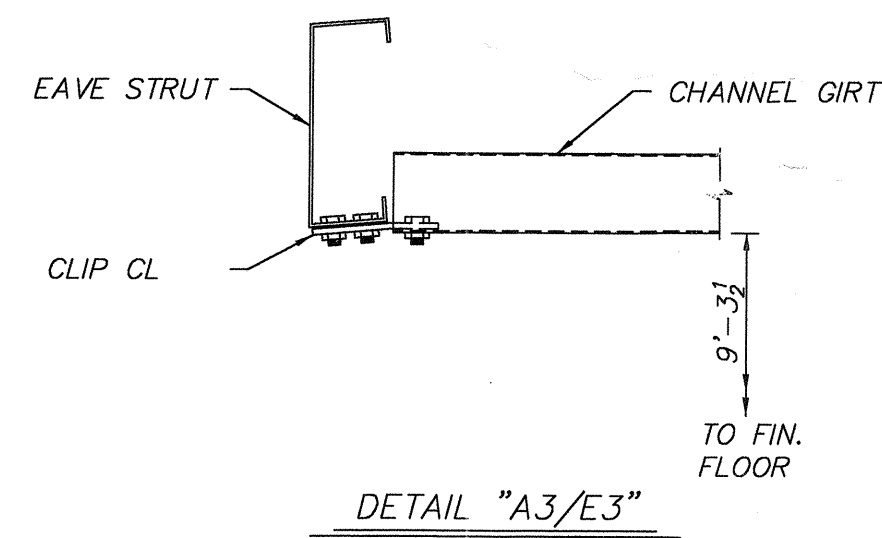
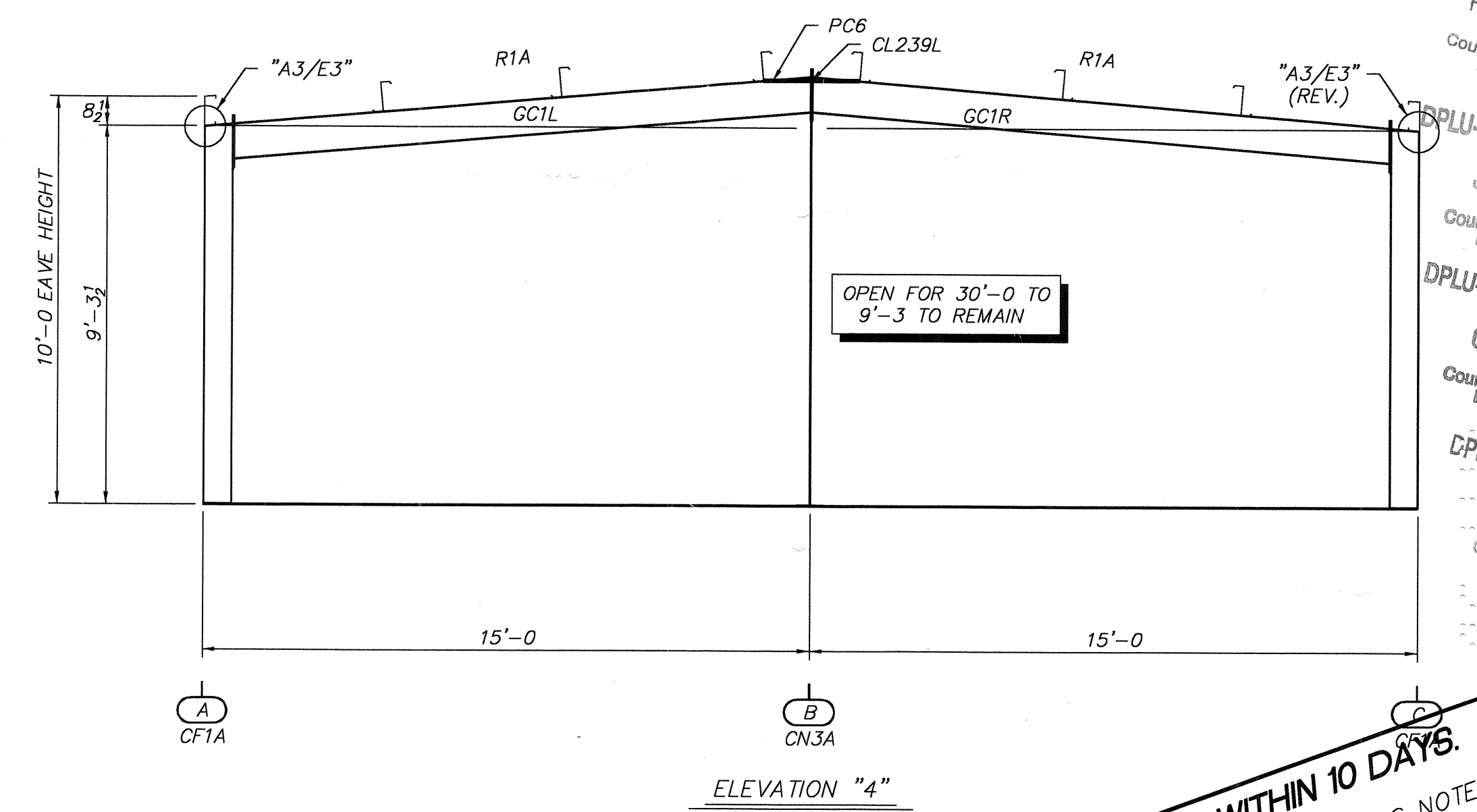
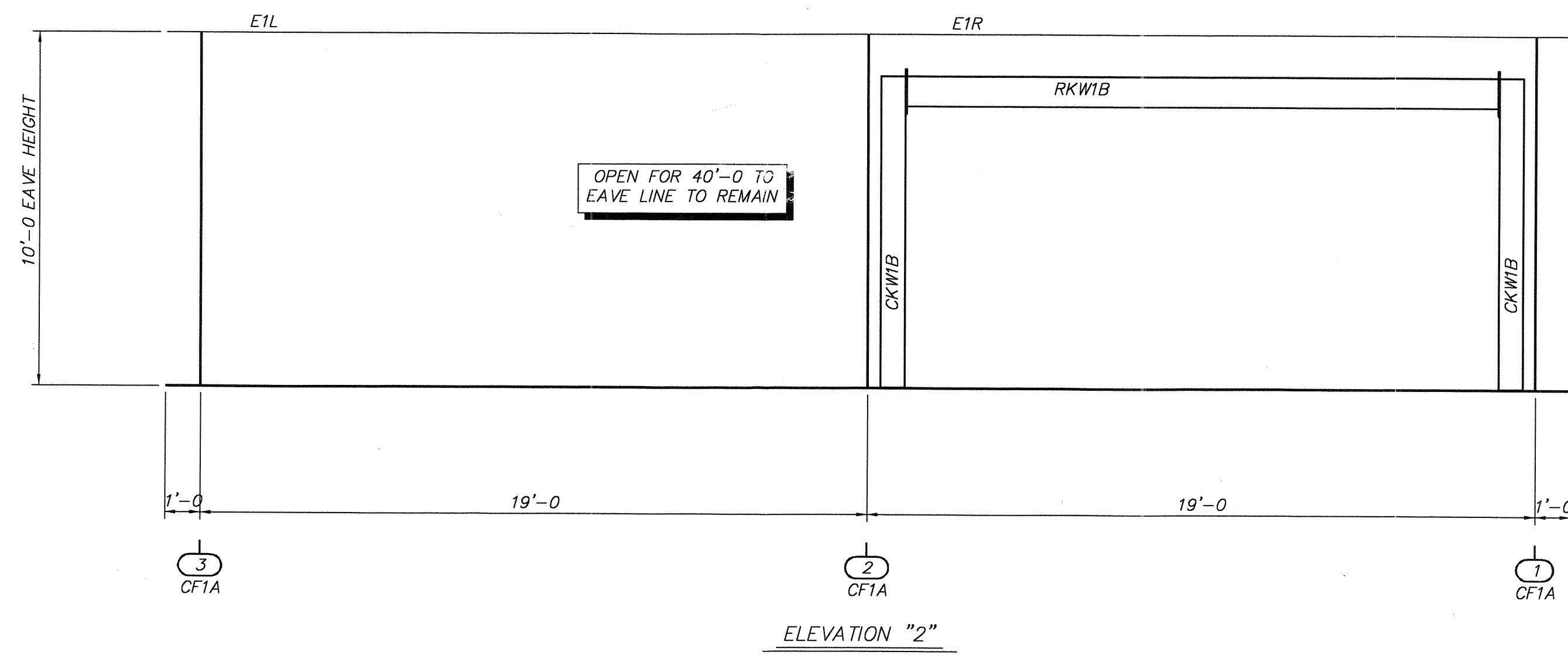
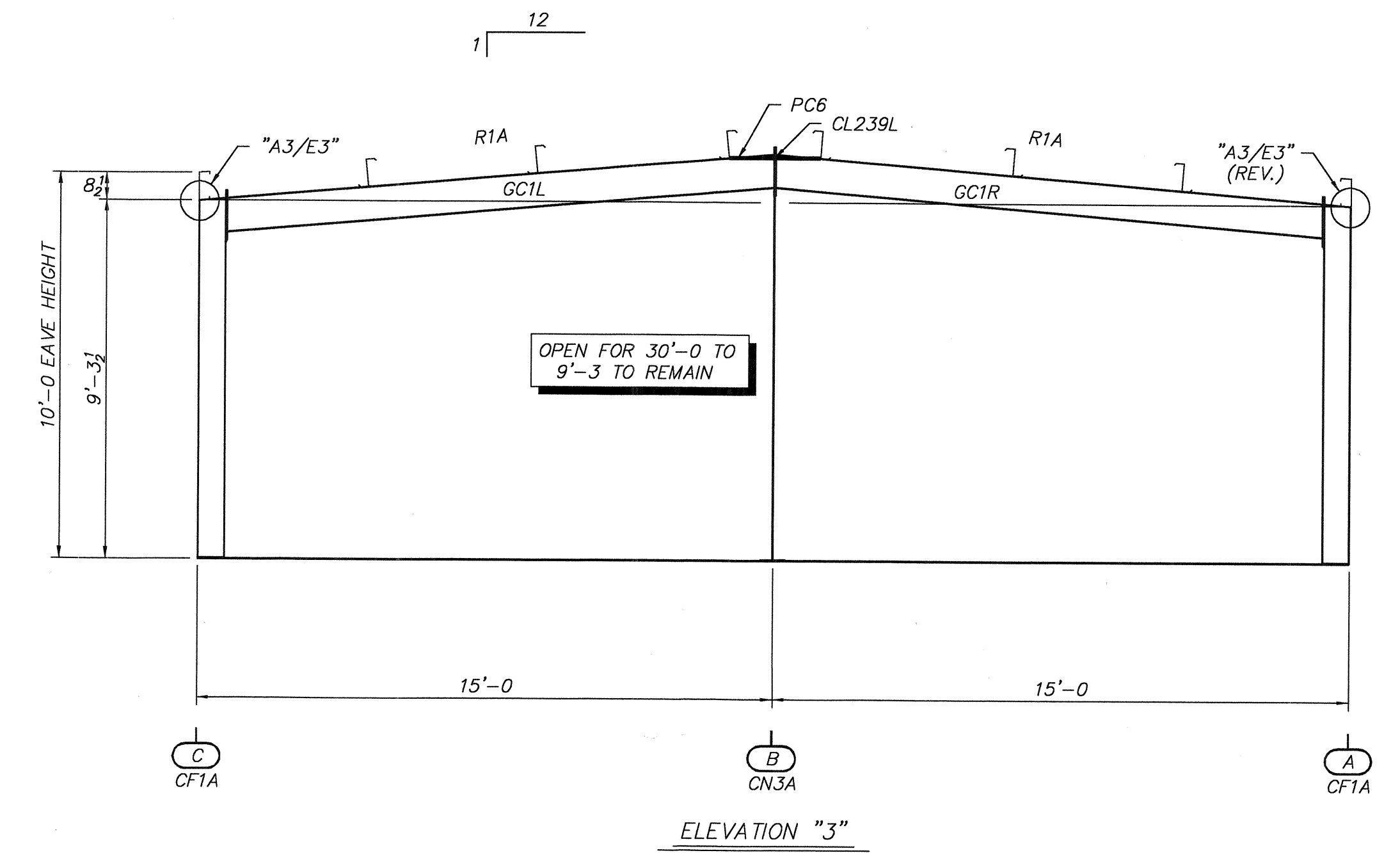
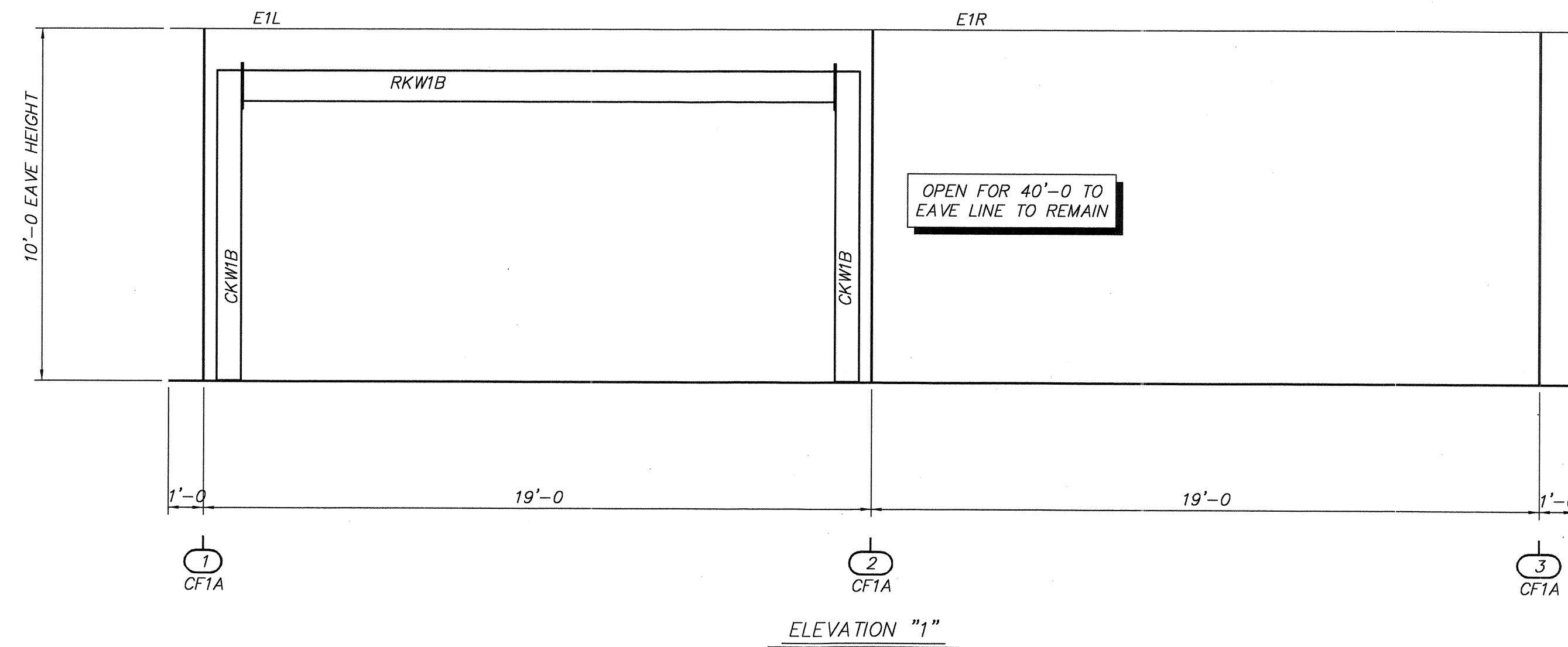
Z_SECTION LAP TABLE			
SYMBOL	LAP	SYMBOL	LAP
⬠	1'-1 LAP	⬠	3'-2 1/2 LAP
⬠	1'-7 LAP	⬠	3'-7 LAP
⬠	2'-1 LAP	⬠	4'-1 LAP
⬠	2'-7 LAP	⬠	2 1/2 LAP

CHECKED PAB DATE 2/16/00
 NOT TO SCALE

UNIVERSAL STEEL STRUCTURES
 6040 Unity Dr. Norcross, Ga. 30073
 CUSTOMER:
 ST. STEPHEN LUTHERAN CHURCH
 FALLBROOK, CA

JOB NO. 99 B 54839
 DRAWING NO. E2





DPLU-BUILDING DIVISION
APR 08 2002
County of San Diego
Plan Check

DPLU-BUILDING DIVISION
FEB 16 2002
County of San Diego
Plan Check

DPLU-BUILDING DIVISION
JAN 03 2002
County of San Diego
Plan Check

DPLU-BUILDING DIVISION
OCT 17 2001
County of San Diego
Plan Check

DPLU-BUILDING DIVISION
AUG 07 2001
County of San Diego
Plan Check

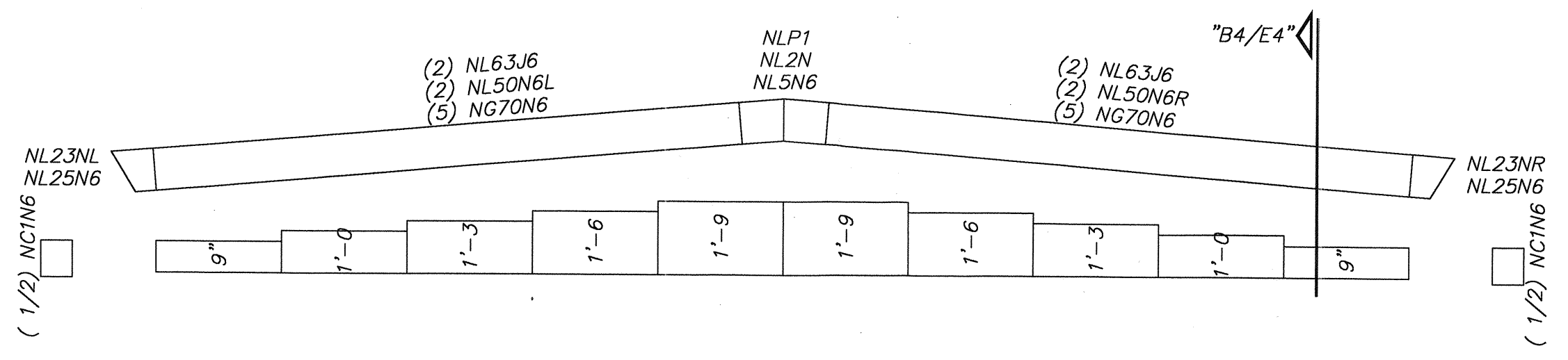
PLEASE RETURN WITHIN 10 DAYS.

APPROVED APPROVED AS NOTED

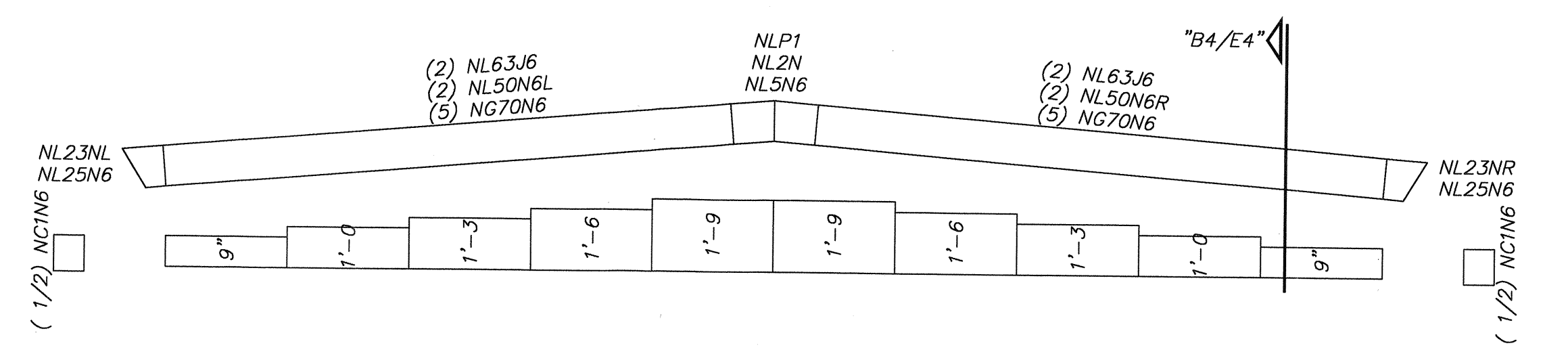
BY: _____ DATE: _____

Professional Engineer Seal
No. 21600
State of California
Expiration Date 12/31/01

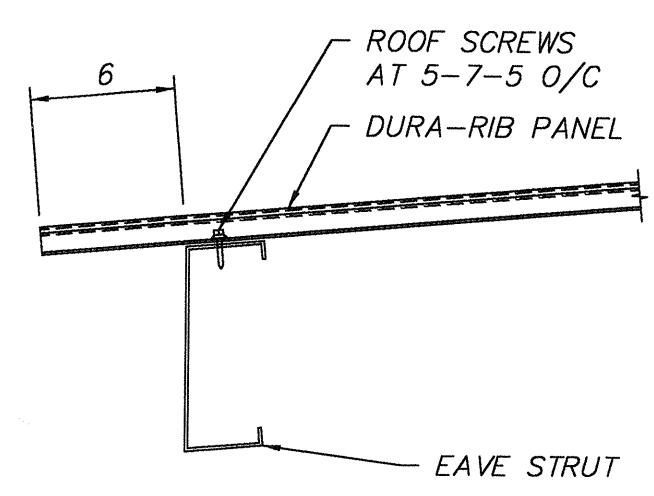
 CHECKED PAB DATE 2/16/00 NOT TO SCALE	UNIVERSAL STEEL STRUCTURES 6040 Unity Dr. Norcross, Ga. 30073	JOB NO. 99 B 54839
	CUSTOMER: ST. STEPHEN LUTHERAN CHURCH FALLBROOK, CA	DRAWING NO. E3



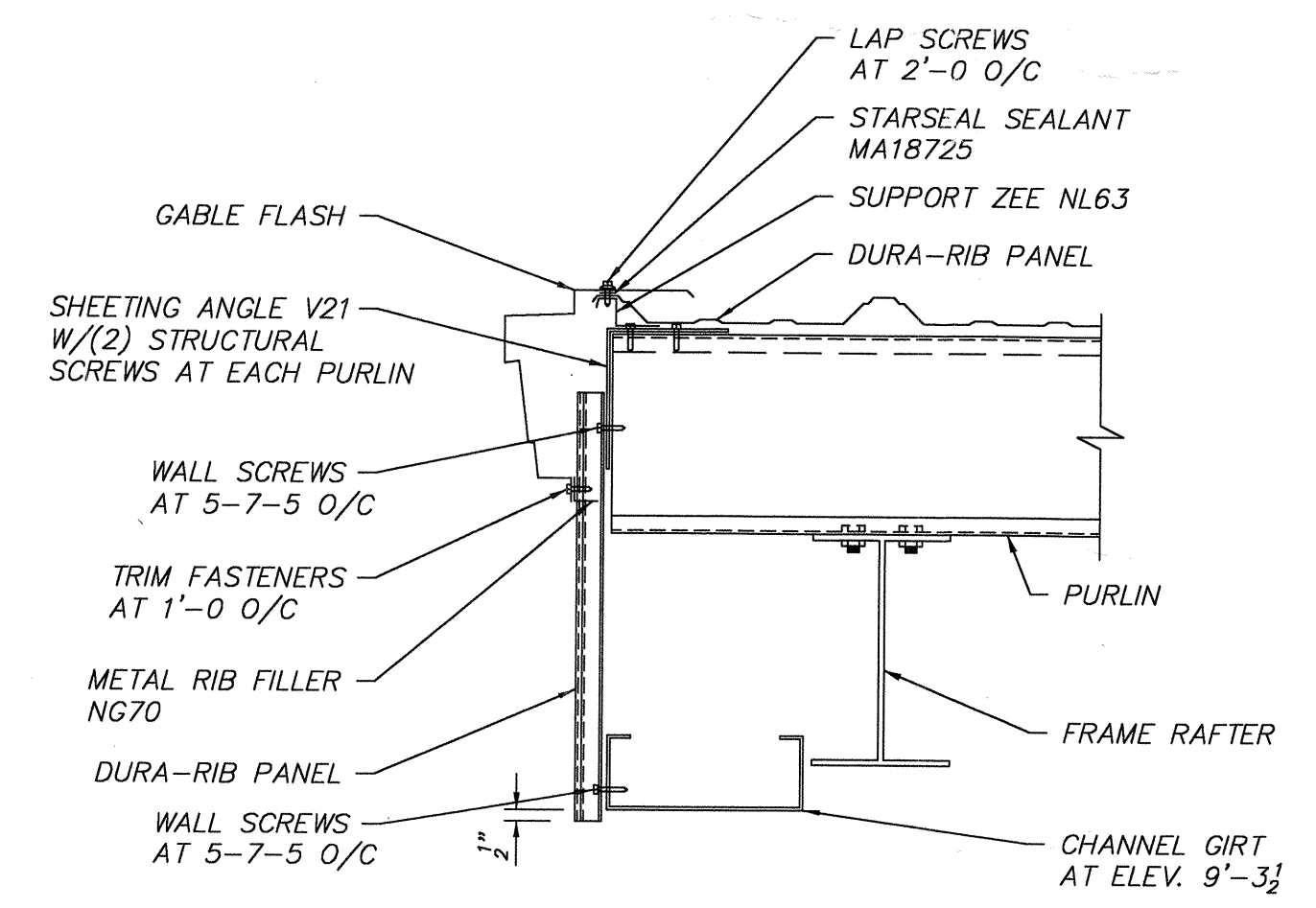
ELEVATION "3"



ELEVATION "4"



TYP. EAVE DETAIL



SECTION "B4/E4"

DPLU-BUILDING DIVISION
APR 08 2002
County of San Diego
Plan Check

DPLU-BUILDING DIVISION
FEB 16 2002
County of San Diego
Plan Check

DPLU-BUILDING DIVISION
JAN 03 2002
County of San Diego
Plan Check

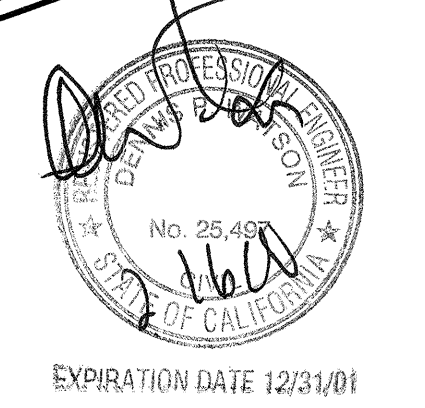
DPLU-BUILDING DIVISION
OCT 17 2001
County of San Diego
Plan Check

DPLU-BUILDING DIVISION
AUG 07 2001
County of San Diego
Plan Check

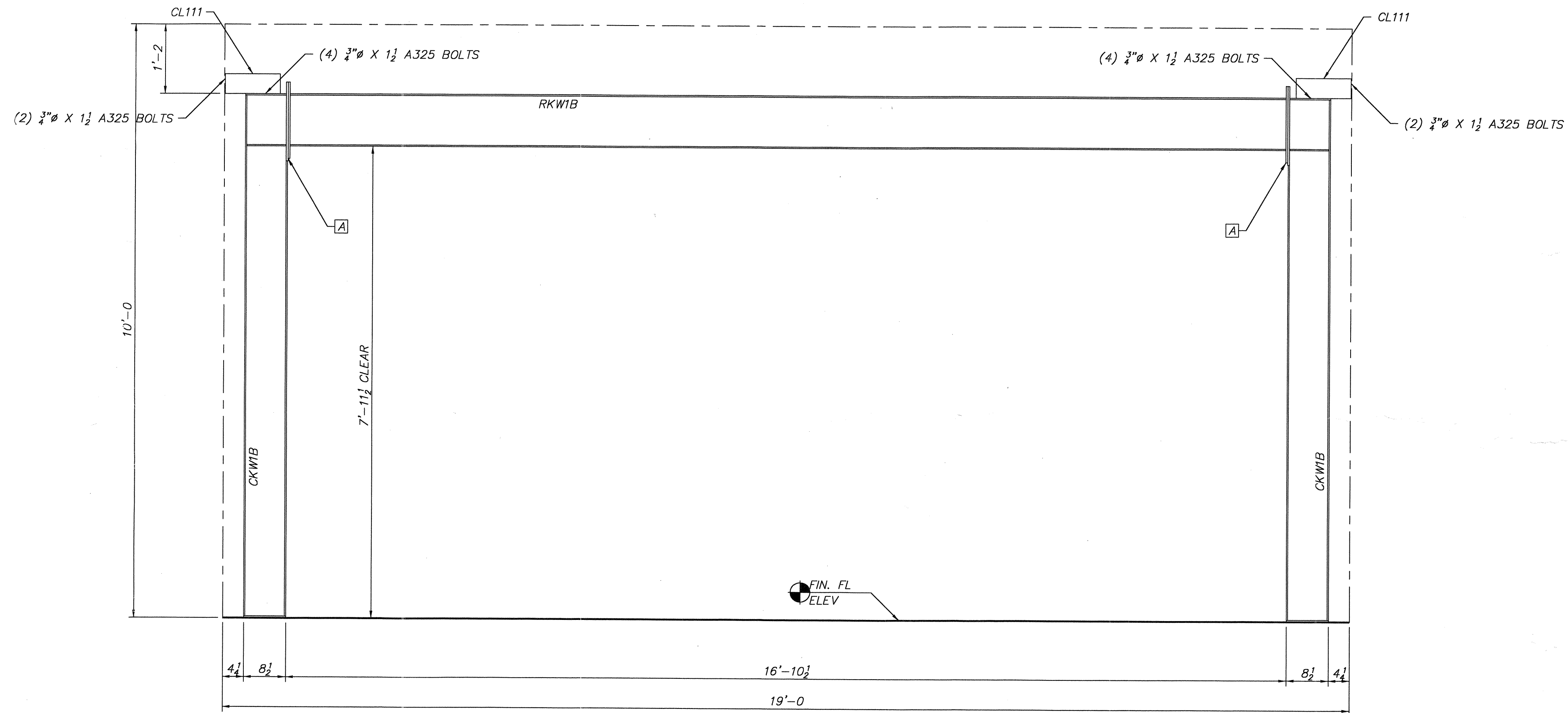
PLEASE RETURN WITHIN 10 DAYS.

APPROVED APPROVED AS NOTED

BY: _____ DATE: _____



			UNIVERSAL STEEL STRUCTURES 6040 Unity Dr. Norcross, Ga. 30073	JOB NO. 99 B 54839
				CUSTOMER: ST. STEPHEN LUTHERAN CHURCH FALLBROOK, CA
CHECKED PAB	DATE 2/16/00	NOT TO SCALE		

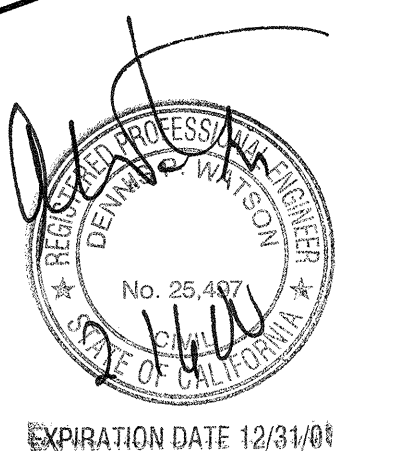


1
CF1A

2
CF1A

CROSS SECTION AT PORTAL FRAME

PLEASE RETURN WITHIN 10 DAYS.
 APPROVED APPROVED AS NOTED
 BY: _____ DATE: _____



EXPIRATION DATE 12/31/01

GENERAL NOTES
 FRAME CLEARANCES SHOWN ARE APPROXIMATE AND MAY VARY DUE TO CONDITIONS (DEFLECTION).
 VERTICAL CLEARANCE DIMENSIONS ARE FROM FINISHED FLOOR REFERENCE ELEVATION.

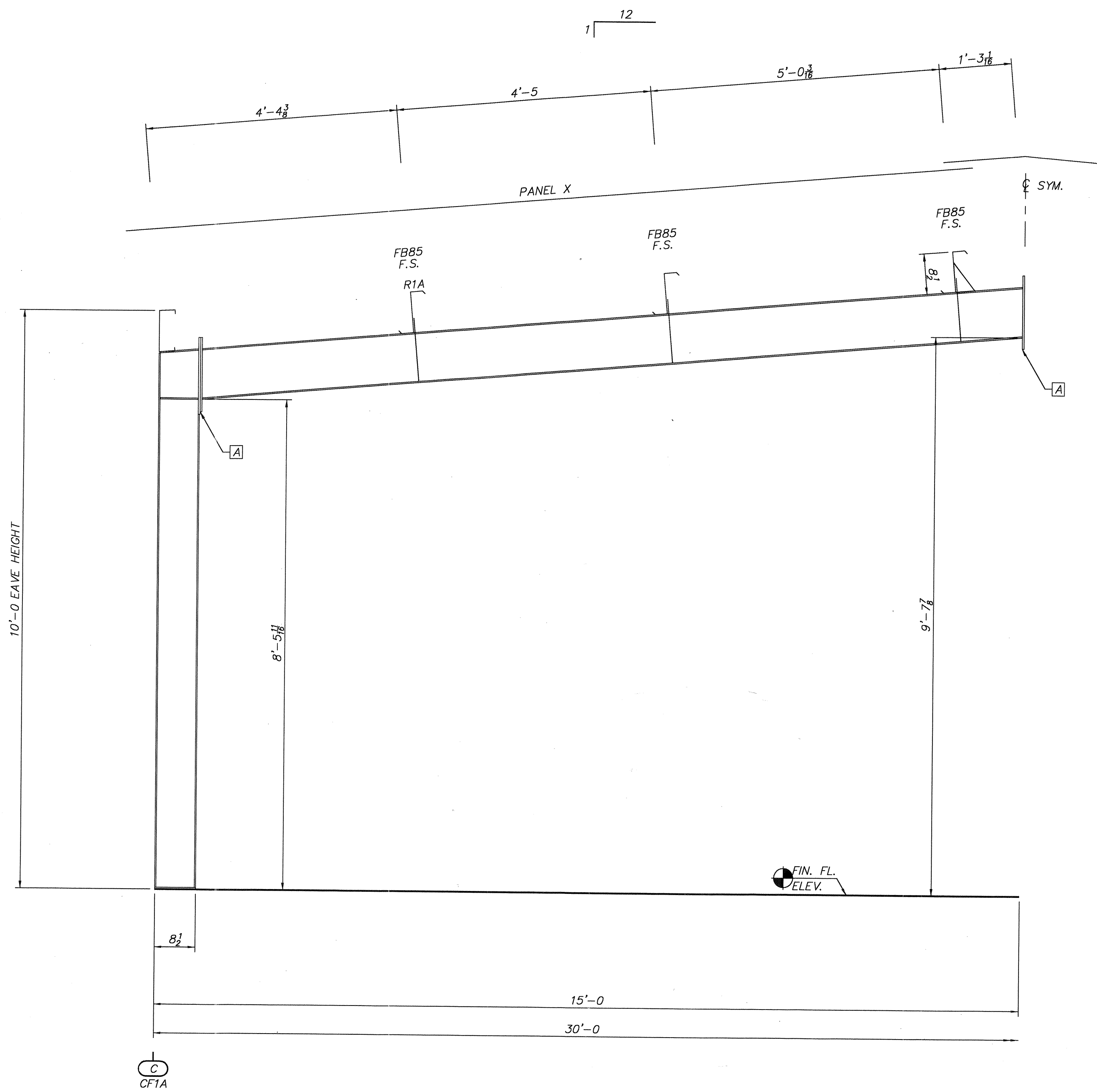
SPLICE BOLT TABLE				
CONN.	QTY.	SIZE	TYPE	HARDENED BEVELED WASHERS WASHERS
A	(8)	3/4 X 2	A325 B&N	0 0

CHECKED PAB DATE 2/16/00
 NOT TO SCALE

UNIVERSAL STEEL STRUCTURES
 6040 Unity Dr. Norcross, Ga. 30073
 CUSTOMER:
 ST. STEPHEN LUTHERAN CHURCH
 FALLBROOK, CA

JOB NO.
 99 B 54839
 DRAWING NO.
 E5

DPLU-BUILDING DIVISION
 APR 08 2002
 County of San Diego
 Plan Check
 DPLU-BUILDING DIVISION
 FEB 16 2002
 County of San Diego
 Plan Check
 DPLU-BUILDING DIVISION
 JAN 03 2002
 County of San Diego
 Plan Check
 DPLU-BUILDING DIVISION
 OCT 17 2001
 County of San Diego
 Plan Check
 DPLU-BUILDING DIVISION
 AUG 07 2001
 County of San Diego
 Plan Check



CROSS SECTION AT FRAME LINES "1" THRU "3"

DPLU-BUILDING DIVISION
 APR 08 2002
 County of San Diego
 Plan Check
 DPLU-BUILDING DIVISION
 FEB 16 2002
 County of San Diego
 Plan Check
 DPLU-BUILDING DIVISION
 JAN 03 2002
 County of San Diego
 Plan Check
 DPLU-BUILDING DIVISION
 OCT 17 2001
 County of San Diego
 Plan Check
 DPLU-BUILDING DIVISION
 AUG 07 2001
 County of San Diego
 Plan Check

PLEASE RETURN WITHIN 10 DAYS.
 APPROVED APPROVED AS NOTED
 BY: _____ DATE: _____



EXPIRATION DATE 12/31/01

SPLICE BOLT TABLE				
CONN.	QTY.	SIZE	TYPE	HARDENED BEVELED WASHERS
A	(8)	3/4 X 2	A325 B&N	0.0 0

GENERAL NOTES
 FRAME CLEARANCES SHOWN ARE APPROXIMATE AND MAY VARY DUE TO CONDITIONS (DEFLECTION).
 VERTICAL CLEARANCE DIMENSIONS ARE FROM FINISHED FLOOR REFERENCE ELEVATION.

CHECKED PAB DATE 2/16/00
 NOT TO SCALE

UNIVERSAL STEEL STRUCTURES
 6040 Unity Dr. Norcross, Ga. 30073
 CUSTOMER:
 ST. STEPHEN LUTHERAN CHURCH
 FALLBROOK, CA

JOB NO.
 99 B 54839
 DRAWING NO.
 E6/L

